

**Panasonic**



Compact Hybrid IP-PBX

**KX-HTS32**

# Development Background

## Needs for Competitive SOHO IP model

- ◎ The following market requests exist for 8x24 range PBX
  - IP capability for Trunk and Extension
  - Built-in Caller ID card to ensure price competitiveness

## Way of Communication Change

- ◎ The rate of BYOD (Bring your Own Devices) usage is increasing along with the number of smartphones shipped (30% in 2013 to 36% in 2016)

**Support constantly changing business environments and enhance competitiveness in the small-scale PBX market.**

## Infrastructure Readiness

- ◎ SIP trunks are becoming more popular year by year (28% CAGR from 2013 to 2018)

## Visual Communication Needs

- ◎ The network camera market is increasing year by year (36% CAGR from 2013 to 2017)
- ◎ Visual communication needs are also increasing due to network environment change.

# Product Concept

KX-HTS32 is a Hybrid IP-PBX. It includes basic call handling features are all in built. KX-HTS32 also can work as a Legacy system (Analogue Trunk/Extension) with optional cards.

## Key Concept

- » **SIP Trunk Ready (IP Embedded System)**  
No activation key / Built-in Router
- » **Smartphone as Extension**  
Built-in Wireless LAN Access Point, Softphone
- » **Cost Performance, Easy Handling**  
Focus on commonly used basic function  
Easy installation and operation



**All-in-One Package Platform for Your Business**

## BUILT-IN

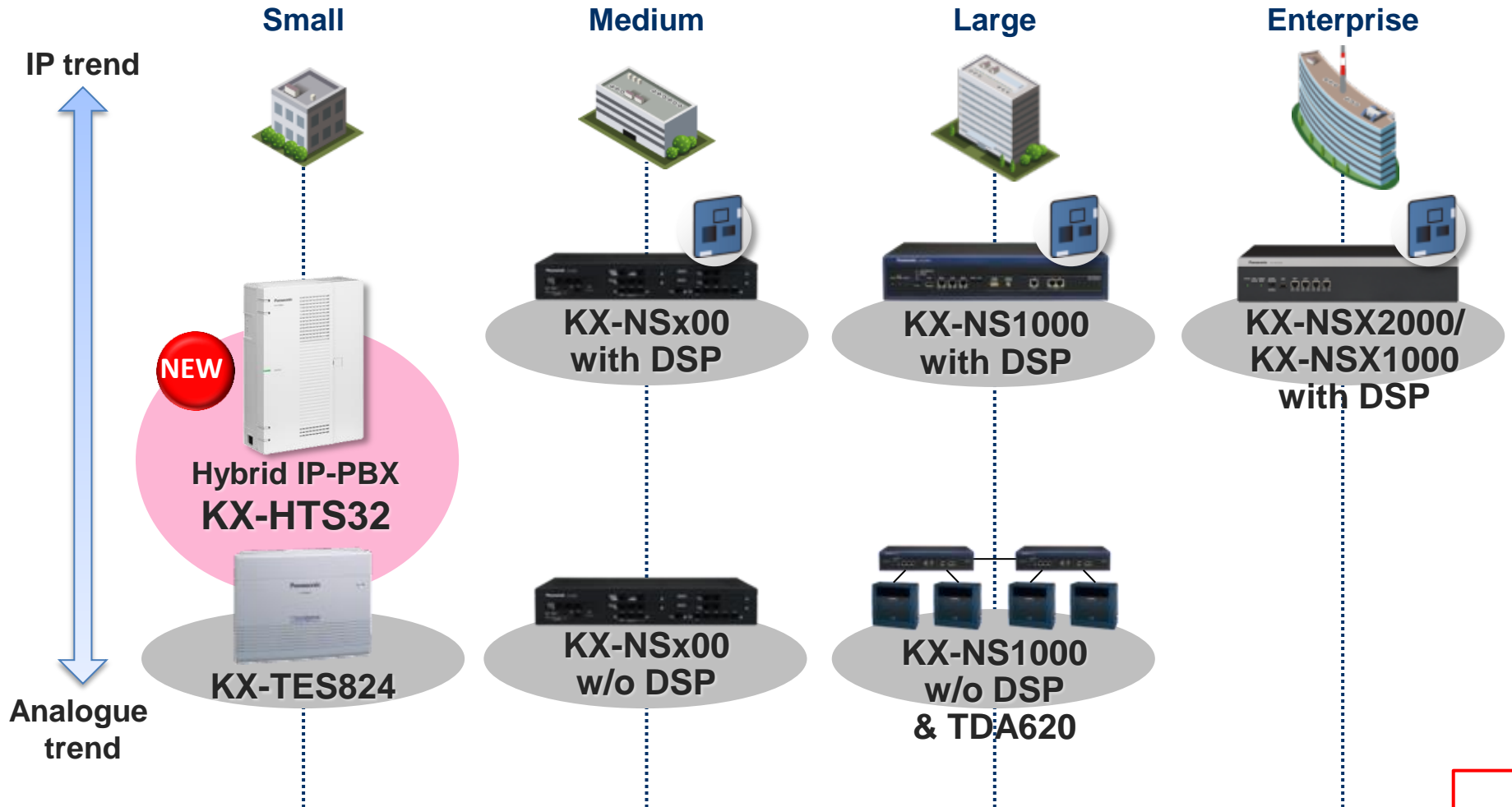
- Caller ID Interface
- DISA (Automatic Call Routing)
- Auto Attendant/Voice Mail
- Router and Wireless LAN Access Point
- SIP Trunk/Extension (6 trunks / 24 extensions)

## EASY HANDLING

- Plug and Play
- Web Based Programming
- Wireless LAN Setup button for Wireless LAN connections

# PBX Line-up and Positioning of the KX-HTS32

The line-up extends from compact to large-scale systems. The new KX-HTS32 is optimized for the SOHO market.



# Basic Main Unit Capacity

The KX-HTS32 supports up to 8 trunks and 24 extensions. 6 SIP trunks and 24 SIP extensions can be used without purchasing an additional activation keys or optional cards. Initial costs can be reduced by factory built-in hardware.

## Built-in hardware

- Analogue CO 4-port with caller ID & SLT 8-port with caller ID
- 3-jack RJ45 2 KX-HDV phones (or LAN Switch) and WAN
- 4-ch DISA & Voice Mail with voice guidance (Recording time: 120 min)
- Battery back up port (for KX-A227: Same as KX-TES824)

## System Capacity Diagram

Analogue CO (DTMF / Pulse)	8	7	6	5	4	3	2
SIP Trunk (G.711)	0	1	2	3	4	5	6

Analogue CO (DTMF / Pulse)	8	5	4	3	2
SIP Trunk (G.729a)	0	1	2	3	4

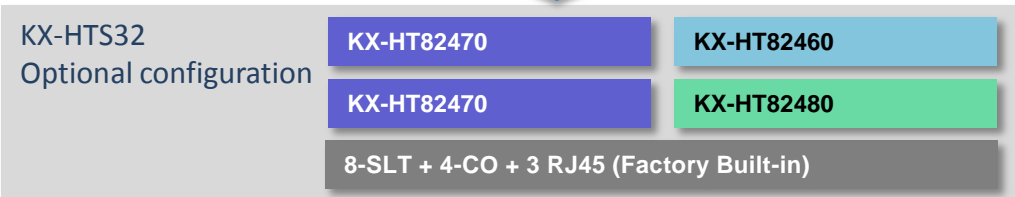
KX-HDV/NTV phone									
SIP software phone Media5 (Smartphone) Bria (Windows PC / Smartphone)	24	23	22	21	20	...	2	1	0
Analogue SLT (DTMF)	0	1	2	3	4	...	22	23	24

\* Official third-party support is only available for Media5 and Bria devices.

## Factory Built-in Hardware



## Expand the options



## Optional Cards (Only 3 Type)

Model	Symbol	Specification	Max
KX-HT82470	CSLC8	8-port for SLT with caller ID	2 card
KX-HT82460	DPH2	2-port for door phone with door opener	1 card
KX-HT82480	LCOT4	4-port for Analogue CO with caller ID	1 card

Door phone = KX-T30865 / KX-T7765

# Comparison with Competitor Products

The KX-HTS32 boasts superior functionality when compared to our competitor's relevant models, especially built-in IP capacity and Router and Wireless function.

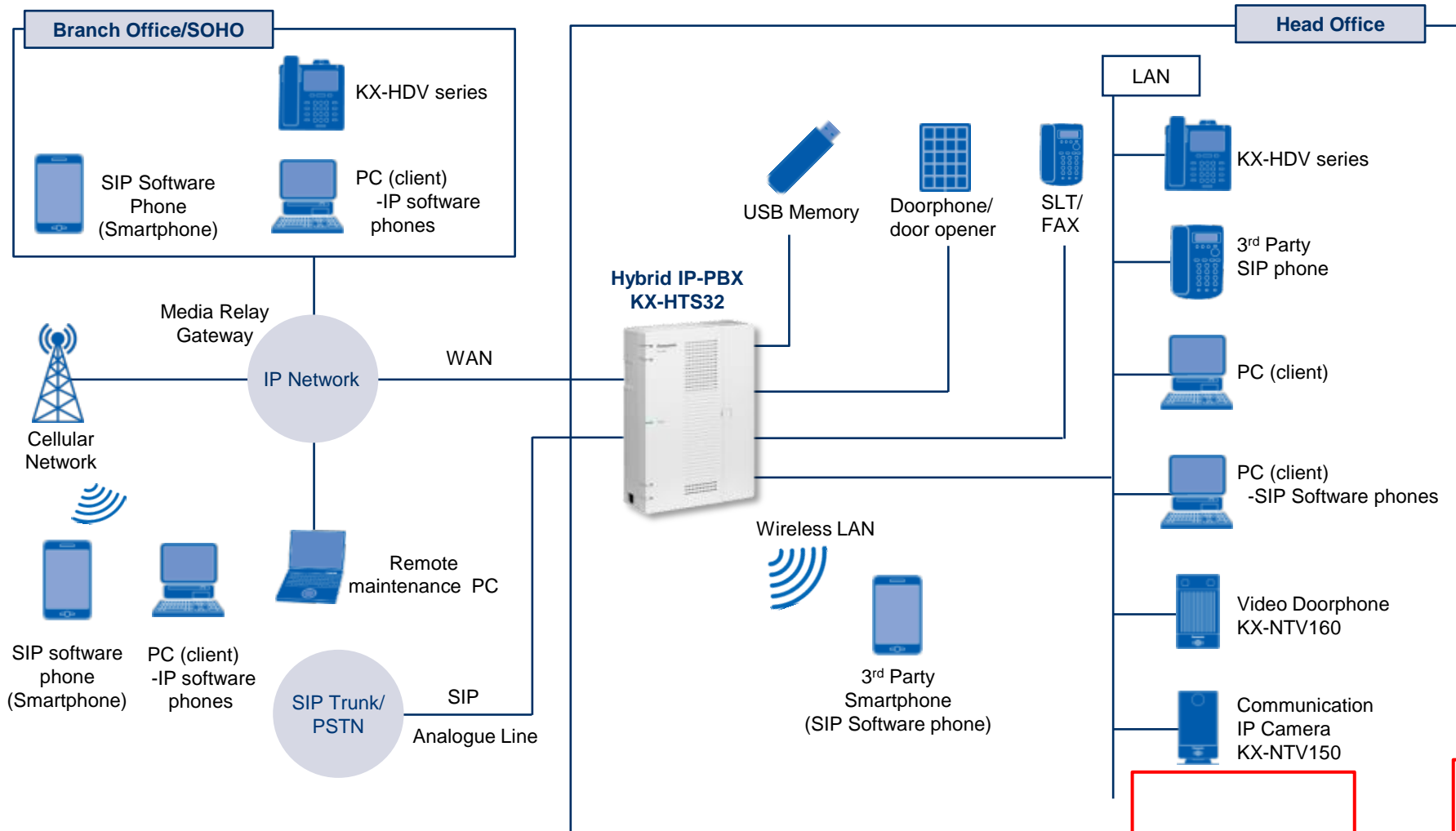
Vendor Model		Panasonic HTS824	Panasonic TES824	Samsung OS7030	NEC SL1000	Intelbras Impacta 16	Yeaster MyPBX SOHO
Legacy Capacity	Built-in	4x8	3x8	0x2	4x8	0x0	0x0
	Max	(Up to 8x24)	8x24	(4x10)x2	(16x32)x4	4x12	4
IP Capacity		6 <sup>*1</sup> x24 (default)	No	8x16 (DSP, AK: OP)	16 (DSP: OP)	4 SIP Trunk	32 Ext
CID		Default	Option	Default	Default	Default	Default
AA/VM		8 port Default	Option to expand	2 Port (VM, AK: OP)	2 port (16p, 40h: OP)	No (4p, 2H: OP)	default
DPH Interface		Legacy: 2 (OP) IP: Yes	Legacy: 2/4 (OP) IP: No	Ext (OP) IP: No	Legacy: Default IP: No	No	Legacy: No IP: No
Legacy Terminal		SLT	SLT/APT	SLT/DPT	SLT/APT	SLT/DPT	SLT
IP Terminal		KX-HDV Series	No	IPT	IPT	No	3rd party SIP
Router		Yes	No	No	No	No	No
Wireless LAN AP		Yes	No	External (OP)	No	No	No
Remote EXT		Yes	No	??	No	No	No
Video Terminal		Yes	No	No	No	No	No
Number of RJ45(WAN/LAN) jacks		2xLAN, 1xWAN	No	External (OP)	No	1xWAN	1xLAN, 1xWAN

 = Winning point

\*1 G.711: 6 trunks, G.729a: 4 trunks

# System Connection Diagram

A SIP trunk and Wireless LAN can be used without an activation key or an additional router. The built-in Media Relay Gateway allows for a smartphone with a software phone to be used as a PBX extension without a VPN.



CARACTERÍSTICA	KX-TES824	KX-HTS32
<b>Control de Llamada</b>		
<b>Llamadas de Entrada</b>		
Direct In Line (DIL)	Si	Si
DID/DDI	Si	Si
Group Call (Ring group)	Si	Si
DISA (Direct Inward System Access)	Si	Si
DISA-AA (IVR)	Si	Si
Caller ID	Si (Opcional)	Si
Call Waiting	Si	Si
Call Forwarding (FWD)	Si	Si
Do not Disturb	Si	Si
Call Pickup	Si	Si
Hands-free Answerback	Si	Si
<b>Realizar Llamadas</b>		
Automatic Trunk Seleccion	Si	Si
Toll Restriction	Si	Si
Emergency Call	Si	Si
Calling Line Identification Presentacion (CLIP)	n/a	Si
<b>Marcacion desde memoria</b>		
System Speed Dial	Si	Si
Phone book (Data download)	Si	Si
Last Number Redial	Si	Si
Call log	Si	Si
<b>Retener/ Transferir</b>		
Call Transfer - Attended Transfer/ Semi-Attended transfer	Si	Si
Call transfer- Blind Transfer	Si	Si
Call Park	Si	Si
Music Hold	Si	Si
Call Hold	Si	Si
Video to Audio / Audio to Video switch	n/a	No
<b>Conference</b>		
Meet-me conference	Si	Si
Ad-hoc conference	Si	Si
<b>Otras Funciones</b>		
Paging Group	Si	Si
Time Service	Si	Si
CDR (Call Detail Records)	Si	
Remote connection	n/a	Si
<b>Botones Flexibles</b>		
BLF Key (DSS Key)	Si	Si
Line key (CO Key)	Si	Si
One touch dial key	Si	Si
DN Key	Si	Si
<b>Correo de voz</b>		
Direct Mailbox Recording	Si (Opcional)	Si
Review/Re-record	Si (Opcional)	Si
Personal Greeting (No Answer, Busy)	Si (Opcional)	Si
Message Waiting Lamp	Si	Si
Message Notification by e-mail	n/a	